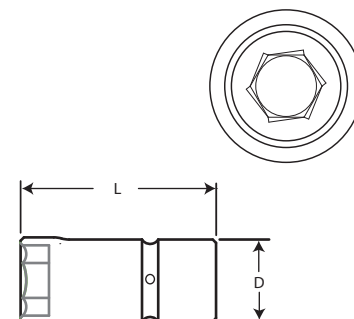


# Sockets - Taper-Lok™

## Taper-Lok™ 3/4" Drive, Fast-Lead, 6-point, Hex

Metric	Length		Diameter		Part Number	Dowel Pin	External O-Ring
	Size (mm)	mm	in	mm			
20	80.264	3.16	38.1	0.992	24W500520	24R501366	24R501378
21	80.264	3.16			24W500521		
22	80.264	3.16			24W500522		
23	80.264	3.16			24W500523		
24	80.264	3.16			24W500524		
25	95.504	3.76			24W500525		
26	95.504	3.76			24W500526		
27	95.504	3.76			24W500527		
29	103.378	4.07			24W500528		
30	103.378	4.07			24W500529		
32	103.378	4.07			24W500530		
35	115.57	4.55	50.8	2	24W500531	24R501367	24R501380
36	115.57	4.55			24W500532		



3/4" Impact Socket Set	Part No.
1/2" Drive, Taper-Lok™, Metric, Impact Socket-Set Contains 1-each of the sockets listed on the left	24W500519

SAE Standard	Length		Diameter		Part Number	Dowel Pin	External O-Ring				
	Size (in)	mm	in	mm				in			
3/4	80.264	3.16	38.1	1.5	24W500505	24R501366	24R501378				
13/16	80.264	3.16			24W500506						
7/8	80.264	3.16			24W500507						
15/16	80.264	3.16			24W500508						
1	95.504	3.76			24W500509						
1-1/16	95.504	3.76			24W500510						
1-1/8	103.378	4.07			24W500511						
1-3/16	103.378	4.07			24W500512						
1-1/4	103.378	4.07			24W500513						
1-5/16	115.57	4.55			50.8			2.00	24W500514	24R501367	24R501380
1-3/8	115.57	4.55							24W500515		
1-7/16	115.57	4.55	24W500516								
1-1/2	122.428	4.82	24W500517								
1-5/8	122.428	4.82	24W500518								

3/4" Impact Socket Set	Part No.
3/4" Drive, Taper-Lok™, SAE, Impact Socket-Set Contains 1-each of the sockets listed on the left	24W500504