

B-FLEX: Performance and flexibility



FOCUS



KEY POINTS

BEST ERGONOMICS	HIGH TECHNOLOGY	QUALITY CONTROL
Ergostop technology to avoid RSI (Repetitive Strain Injury)	Smart embedded HMI on tool	Direct feedback for the operator
Perfectly balanced grip design	High resolution transducer	Visible tightening results on tool HMI
Rebalancing with the two different battery positions	New motor dedicated to battery tools : high speed, high torque, low temperature	Torque control and angle monitoring
Operator comfort		

B-FLEX: Ergonomy and control



desoutter.info/B-FLEX

ERROR PROOF QUALITY CONTROL

- Direct feedback for the operator
- Torque and Angle tightening result
- Torque control tightening strategy

No PC needed

100 last results on "CVI Monitor"

USB cable included

eDOCK

Data to collect

Password protection

Battery level

Ergostop

Program setting

Results

Easy setting

EAB26-560

P2
26.0 Nm

Max angle
185 deg

10.03Nm
162.30Deg

B-FLEX ADVANCED (Standard features +)

6 Pset

6 TOOLS in 1 B-FLEX

Angle Strategy

Error proof your standard tightenings

Abort torque: 6.000

Max. torque: 5.280

Min. torque: 4.320

Angle threshold: 1.200

Pset start torque: 0.480

Min. angle: 80.0

Target angle: 90.0

Max. angle: 100

Full data collection

(up to 10 000 on CVI Analyzer)

CVI ANALYZER

eDOCK

USB cable included

B-FLEX Series - Pistol grip

1.5 to 17 Nm (1.1 to 12.5 ft. lb) - 10 to 1800 rpm

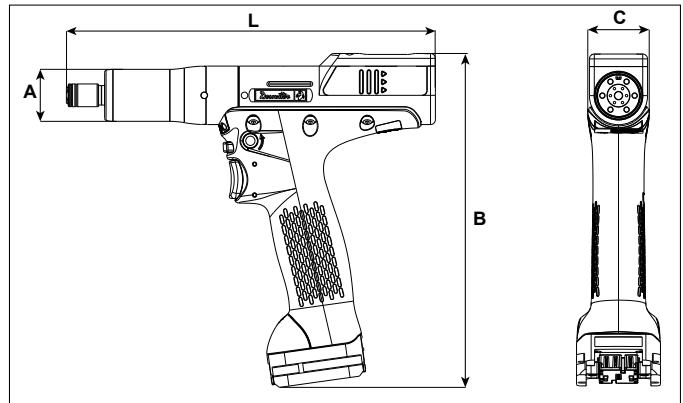


A



B

MODEL	L		A		B		C	
	mm	in.	mm	in.	mm	in.	mm	in.
EPB 8-1800-4Q	227	8.94	32	1.26	206	8.11	38	1.5
EPB 8-1800-10S	227	8.94	32	1.26	206	8.11	38	1.5
EPB 14-900-4Q	227	8.94	32	1.26	206	8.11	38	1.5
EPB 14-900-10S	227	8.94	32	1.26	206	8.11	38	1.5
EPB 17-700-4Q	227	8.94	32	1.26	206	8.11	38	1.5
EPB 17-700-10S	227	8.94	32	1.26	206	8.11	38	1.5



ACCESSORIES
see page 24

PIC REF	MODEL	PART NUMBER	OUTPUT DRIVE	TORQUE RANGE						ROTATIONAL SPEED (RPM)		WEIGHT WITHOUT BATTERY		VOLTAGE
				MIN.	RECOM-MENDED	MAX.	MIN.	RECOM-MENDED	MAX.	18V	36V	kg	lb	
			in.	Nm	Nm	Nm	ft. lb	ft. lb	ft. lb					V

B-FLEX - TRANSDUCERIZED BATTERY TOOL

A	EPB 8-1800-4Q	615 165 899 0	Hex.1/4	1.5	7	8	1.1	5.2	5.9	900	1800	1	2.2	18/36
B	EPB 8-1800-10S	615 165 903 0	Sq.3/8	1.5	7	8	1.1	5.2	5.9	900	1800	1	2.2	18/36
A	EPB14-900-4Q	615 165 978 0	Hex.1/4	4	12	14	2.4	8.8	10.3	540	940	1	2.2	18/36
B	EPB14-900-10S	615 165 977 0	Sq.3/8	4	12	14	2.4	8.8	10.3	540	940	1	2.2	18/36
A	EPB 17-700-4Q	615 165 905 0	Hex.1/4	7	15	17	5.2	11	12.5	400	700	1	2.2	18/36
B	EPB 17-700-10S	615 165 901 0	Sq.3/8	7	15	17	5.2	11	12.5	400	700	1	2.2	18/36

B-FLEX - ADVANCED

A	EPBA 8-1800-4Q	615 165 972 0	Hex.1/4	1.5	7	8	1.1	5.2	5.9	900	1800	1	2.2	18/36
B	EPBA 8-1800-10S	615 165 971 0	Sq.3/8	1.5	7	8	1.1	5.2	5.9	900	1800	1	2.2	18/36
A	EPBA14-900-4Q	615 165 974 0	Hex.1/4	4	12	14	2.4	8.8	10.3	540	940	1	2.2	18/36
B	EPBA14-900-10S	615 165 973 0	Sq.3/8	4	12	14	2.4	8.8	10.3	540	940	1	2.2	18/36
A	EPBA 17-700-4Q	615 165 976 0	Hex.1/4	7	15	17	5.2	11	12.5	400	700	1	2.2	18/36
B	EPBA 17-700-10S	615 165 975 0	Sq.3/8	7	15	17	5.2	11	12.5	400	700	1	2.2	18/36

• Battery not included in standard offering

• Battery 18V, 2.1Ah - Weight: 0.35kg (0.77lb) / 18V, 4.2Ah & 36V, 2.1Ah - Weight: 0.60kg (1.32lb)

B-FLEX Series - Angle head

5 to 95 Nm (3.7 to 70 ft. lb) - 10 to 900 rpm



A



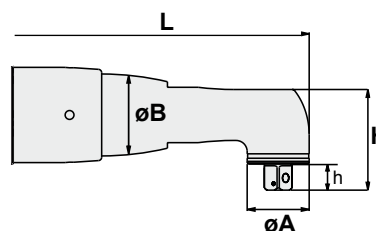
B



C

MODEL	L		H		H		ØA		ØB	
	mm	in.	mm	in.	mm	in.	mm	in.	mm	in.
EAB 15-900	470	18.5	10.2	0.40	33.8	1.33	22	0.87	37.0	1.46
EAB 26-560	496	19.5	12.0	0.47	45.7	1.80	28	1.10	37.0	1.46
EAB 32-410	496	19.5	12.0	0.47	45.7	1.80	28	1.10	37.0	1.46
EAB 45-330	506	19.9	12.0	0.47	51.0	2.00	35	1.38	37.0	1.46
EAB 50-450	546	21.5	12.0	0.47	51.0	2.00	35	1.38	37.0	1.46
EAB 60-370	559	22.0	11.9	0.468	57.0	2.20	40	1.57	41.0	1.61
EAB 75-300	582	22.9	17.5	0.69	60.4	2.38	45	1.77	48.5	1.91
EAB 95-240	582	22.9	17.5	0.69	60.4	2.38	45	1.77	48.5	1.91

L = Tool length without battery



ACCESSOIRES
see page 24

PIC REF	MODEL	PART NUMBER	SQUARE DRIVE	TORQUE RANGE						ROTATIONAL SPEED	WEIGHT WITHOUT BATTERY		VOLTAGE
				MIN.	RECOM-MENDED	MAX.	MIN.	RECOM-MENDED	MAX.		kg	lb	
			in.	Nm	Nm	Nm	ft. lb	ft. lb	ft. lb	rpm			V
•	EAB 15-900	615 165 731 0	1/4	5	13	15	3.7	9.6	11	900	1.55	3.42	36
A	EAB 26-560	615 165 732 0	3/8	5	24	26	3.7	18	19	560	1.65	3.64	36
A	EAB 32-410	615 165 733 0	3/8	7	30	32	5.2	22	24	410	1.65	3.64	36
B	EAB 45-330	615 165 734 0	3/8	9	40	45	6.6	30	33	330	1.76	3.88	36
B	EAB 50-450	615 165 735 0	3/8	9	45	50	6.6	33	37	450	2.04	4.50	36
B	EAB 60-370	615 165 736 0	1/2	10	55	60	7.4	41	44	370	2.35	5.18	36
C	EAB 75-300	615 165 737 0	1/2	12	70	75	8.8	52	55	300	2.94	6.48	36
C	EAB 95-240	615 165 738 0	1/2	19	90	95	14	66	70	240	2.98	6.57	36

B-FLEX - TRANSDUCERIZED BATTERY TOOL

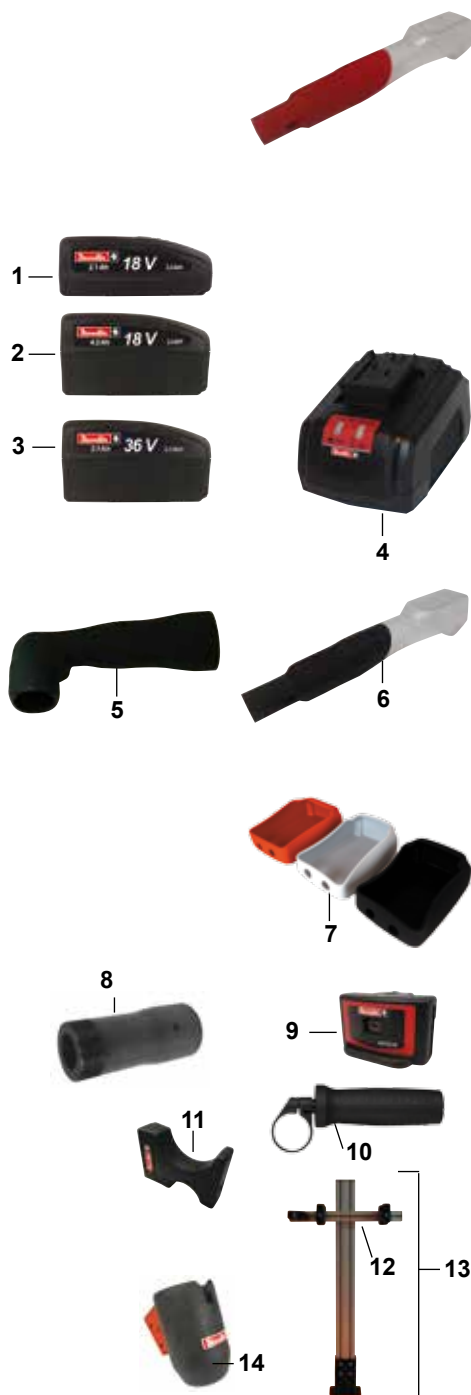
B-FLEX - ADVANCED

•	EABA15-900	615 165 961 0	1/4	5	13	15	3.7	9.6	11	900	1.55	3.42	36
A	EABA26-560	615 165 962 0	3/8	5	24	26	3.7	18	19	560	1.65	3.64	36
A	EABA32-410	615 165 963 0	3/8	7	30	32	5.2	22	24	410	1.65	3.64	36
B	EABA45-330	615 165 964 0	3/8	9	40	45	6.6	30	33	330	1.76	3.88	36
B	EABA50-450	615 165 965 0	3/8	9	45	50	6.6	33	37	450	2.04	4.50	36
B	EABA60-370	615 165 966 0	1/2	10	55	60	7.4	41	44	370	2.35	5.18	36
C	EABA75-300	615 165 967 0	1/2	12	70	75	8.8	52	55	300	2.94	6.48	36
C	EABA95-240	615 165 968 0	1/2	19	90	95	14	66	70	240	2.98	6.57	36

• Battery not included in standard offering

• Battery 36V, 2.1Ah - Weight: 0.60 kg

Accessories



EPB / EAB

ACCESSORIES INCLUDED

	EPB/EPBA
• Pistol protective cover Red	615 211 022 0

OPTIONAL ACCESSORIES

ITEM	EAB/EABA	EPB/EPBA
Battery type		
1	Li-ion Battery 18V 2.1 Ah - 0.35 kg (0.77lb)	615 812 099 0
2	Li-ion Battery 18V 4.2 Ah - 0.60 kg (1.32lb)	615 812 100 0
3	Li-ion Battery 36V 2.1 Ah - 0.60 kg (1.32lb)	615 811 924 0
Charger		
4	For Li-ion Battery 18 / 36V - 100 / 240V	615 811 654 5
Protective covers - Tools		
5	For Angle head EAB 15	615 211 003 0
5	For Angle head EAB 26/32	615 573 207 0
5	For Angle head EAB 45/50	615 573 208 0
5	For Angle head EAB 60	615 573 209 0
5	For Angle head EAB 75/95	615 573 210 0
6	Pistol protective cover Black	615 211 019 0
Protective covers - Battery		
7	For Battery 18V 2.1Ah - Clear	615 396 871 0
7	For Battery 18V 2.1Ah - Black	615 211 041 0
7	For Battery 18V 2.1Ah - Blue	615 211 042 0
7	For Battery 18V 2.1Ah - Red	615 211 043 0
7	For Battery 18V 2.1Ah - Grey	615 211 044 0
7	For Battery 18V 4.2Ah / 36V 2.1Ah - Clear	615 396 872 0
7	For Battery 18V 4.2Ah / 36V 2.1Ah - Black	615 211 046 0
7	For Battery 18V 4.2Ah / 36V 2.1Ah - Blue	615 211 047 0
7	For Battery 18V 4.2Ah / 36V 2.1Ah - Red	615 211 048 0
7	For Battery 18V 4.2Ah / 36V 2.1Ah - Grey	615 211 049 0
Miscellaneous		
8	Nose crowfoot adapter for EPB	615 565 518 0
9	eDOCK	615 811 976 0
10	Side handle	615 397 016 0
Desoutter Tool holster		
11	DTH TWIN (single) without rail	615 811 411 0
12	DTH TWIN rail kit with 2 Twin holders	615 811 412 5
13	DTH TWIN stand kit with 2 Twin holders	615 811 413 5
14	DTH90	615 812 119 0

