

Wireless transducerized battery tool

Multi Battery Tools

Virtual controllers management by Desoutter

Optimized footprint - free from cable - Full Traceability

Access point



WITH 1 CVI3 VISION

ADD UP TO 3 VIRTUAL CONTROLLERS
GET UP TO 4 BATTERY TOOLS CONNECTED

EPOD 2C

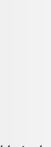
up to 2 battery tools



Configuration with cable tool: 1 cable tool with up to 2 battery tools

EPOD 3C

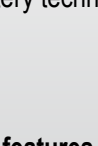
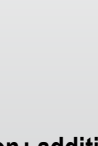
up to 3 battery tools



Configuration with cable tool: 1 cable tool with up to 2 battery tools

EPOD 4C

up to 4 battery tools



Configuration with cable tool: 1 cable tool with up to 3 battery tools



Accessories can be dedicated to
only one virtual controller or to the
whole virtual controllers

Tool overview



Pistol Version: additional features

- Torque 1,5-17 Nm
- Compatible with both 18v and 36V batteries
- White LED activated by movement



ADVANCED ERGONOMICS

- Low weight tools
- Effortless trigger
- 45° oriented battery (angle version)
- Slim angle head for tight areas access



INCREASED PRODUCTIVITY

- High speed tool and increased autonomy with 36V battery & 2.1 Ah capacity
- Embedded display for pset selection
- Strong & efficient wireless communication, tested in industrial environment



EASY INTEGRATION

- Quick wireless installation - Directly on an existing CVI3 controller
- Data collection through wireless communication
- Improve error-proofing control with advanced tightening strategies
- Easy attachment for crowfoot & tubenuts



OPTIMIZED MAINTENANCE

- Long life batteries, no memory effect on Li-ion battery
- Dust & oil proof trigger
- Common spare parts with all CVI3 range

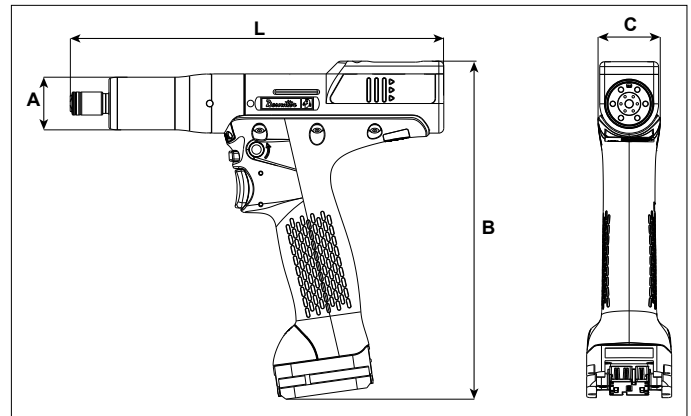


EPBcom Series

1.5 to 17 Nm (1.1 to 12.5 ft.lb) - 10 to 1800 rpm



MODEL	L		A		B		C	
	mm	in.	mm	in.	mm	in.	mm	in.
EPBC 8-1800-4Q	227	8.94	32	1.26	206	8.11	38	1.5
EPBC 8-1800-10S	227	8.94	32	1.26	206	8.11	38	1.5
EPBC14-900-4Q	227	8.94	32	1.26	206	8.11	38	1.5
EPBC14-900-10S	227	8.94	32	1.26	206	8.11	38	1.5
EPBC 17-700-4Q	227	8.94	32	1.26	206	8.11	38	1.5
EPBC 17-700-10S	227	8.94	32	1.26	206	8.11	38	1.5



ACCESSORIES
see page 39

PIC REF	MODEL	PART NUMBER	OUTPUT DRIVE	TORQUE RANGE						ROTATIONAL SPEED (RPM)		WEIGHT WITHOUT BATTERY		VOLTAGE
				MIN.	RECOM-MENDED	MAX.	MIN.	RECOM-MENDED	MAX.	18V	36V	kg	lb	
			in.	Nm	Nm	Nm	ft.lb	ft.lb	ft.lb					

EPBcom - TRANSDUCERIZED BATTERY TOOL

A	EPBC 8-1800-4Q	615 165 900 0	Hex.1/4"F	1.5	7	8	1.1	5.2	5.9	900	1800	1.0	2.2	18/36
B	EPBC 8-1800-10S	615 165 904 0	Sq.3/8	1.5	7	8	1.1	5.2	5.9	900	1800	1.0	2.2	18/36
A	EPBC14-900-4Q	615 165 980 0	Hex.1/4"F	4	12	14	2.9	8.8	10.3	540	940	1.0	2.2	18/36
B	EPBC14-900-10S	615 165 979 0	Sq. 3/8	4	12	14	2.9	8.8	10.3	540	940	1.0	2.2	18/36
A	EPBC 17-700-4Q	615 165 906 0	Hex.1/4"F	7	15	17	5.2	11	12.5	400	700	1.0	2.2	18/36
B	EPBC 17-700-10S	615 165 902 0	Sq.3/8	7	15	17	5.2	11	12.5	400	700	1.0	2.2	18/36

• Battery not included in standard offering

• Battery 18V, 2.1 Ah: 0.35 kg (0.77lb) / 18V, 4.2 Ah & 36V, 2.1Ah: 0.60 kg (1.32lb)

EPBcom / EABcom

ACCESSORIES INCLUDED

	EPBcom
• Pistol protective cover - Black	615 211 019 0

OPTIONAL ACCESSORIES

ITEM	EABcom	EPBcom
------	--------	--------

Battery type

1	Li-ion Battery 18V 2.1 Ah - 0.35 kg (0.77lb)	615 812 099 0
2	Li-ion Battery 18V 4.2 Ah - 0.60 kg (1.32lb)	615 812 100 0
3	Li-ion Battery 36V 2.1 Ah - 0.60 kg (1.32lb)	615 811 924 0

Charger

4	For Li-ion Battery 18 / 36V - 100 / 240V	615 811 654 5	615 811 654 5
---	--	---------------	---------------

Protective covers - Tools

5	For Angle head EAB 15	615 211 003 0
5	For Angle head EAB 26/32	615 573 207 0
5	For Angle head EAB 45/50	615 573 208 0
5	For Angle head EAB 60	615 573 209 0
5	For Angle head EAB 75/95	615 573 210 0
6	For Pistol EPB - Red	615 211 022 0

Protective covers - Battery

7	For Battery 18V 2.1Ah - Clear	615 396 871 0	
7	For Battery 18V 2.1Ah - Black	615 211 041 0	
7	For Battery 18V 2.1Ah - Blue	615 211 042 0	
7	For Battery 18V 2.1Ah - Red	615 211 043 0	
7	For Battery 18V 2.1Ah - rey	615 211 044 0	
7	For Battery 18V 4.2Ah / 36V 2.1Ah - Clear	615 396 872 0	615 396 872 0
7	For Battery 18V 4.2Ah / 36V 2.1Ah - Black	615 211 046 0	615 211 046 0
7	For Battery 18V 4.2Ah / 36V 2.1Ah - Blue	615 211 047 0	615 211 047 0
7	For Battery 18V 4.2Ah / 36V 2.1Ah - Red	615 211 048 0	615 211 048 0
7	For Battery 18V 4.2Ah / 36V 2.1Ah - Grey	615 211 049 0	615 211 049 0

Miscellaneous

8	Nose crowfoot adapter for EPB.	615 565 518 0	
9	eDOCK	615 811 976 0	615 811 976 0
10	Barcode reader for EPBC (1D/2D/QR)	615 812 281 0	
•	Barcode reader for EABC-eLINK (1D/2D/QR)	615 813 038 0	
•	Access point Wifi 802.11N-US:	615 811 417 5	615 811 417 5
•	Access point Wifi 802.11N-EU:	615 811 419 5	615 811 419 5
•	Access point Wifi 802.11N-N	615 811 650 5	615 811 650 5
•	Plug UK	615 917 202 0	615 917 202 0
11	Side handle	615 397 016 0	

Desoutter Tool holster

12	DTH TWIN (single) without rail	615 811 411 0
13	DTH TWIN rail kit with 2 Twin holders	615 811 412 5
14	DTH TWIN stand kit with 2 Twin holders	615 811 413 5
15	DTH90	615 812 119 0

Virtual controllers management

	PART NUMBER	Maximum number of tools	Maximum number of	
			cable tools	Battery tools
16	without ePOD	-	2	1
16	ePOD2C	615 936 311 0	3	1
16	ePOD3C	615 936 318 0	3	1
16	ePOD4C	615 936 312 0	4	1

