

## GP7 and GP8

### Compact, High-Speed Robots

#### Key Benefits

Highest payload, speeds and wrist allowable moment in its class

Compact, space-efficient design

Engineered for easy installation, operation and maintenance

IP67 rating for use in a wide variety of applications

#### Specifications

##### GP7

7 kg payload  
927 mm horizontal reach  
1,693 mm vertical reach  
±0.03 mm repeatability

##### GP8

8 kg payload  
727 mm horizontal reach  
1,312 mm vertical reach  
±0.02 mm repeatability

#### Applications

Assembly

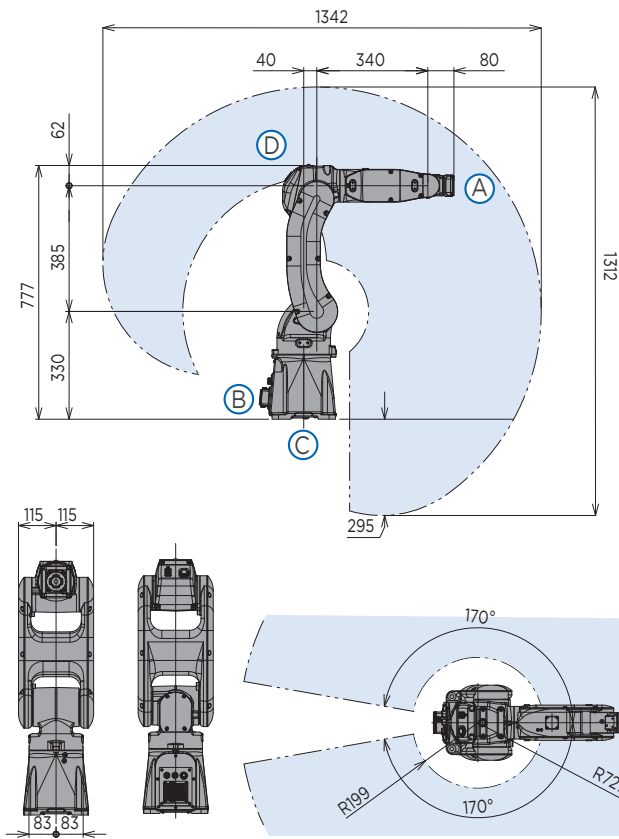
Material Handling

Packaging

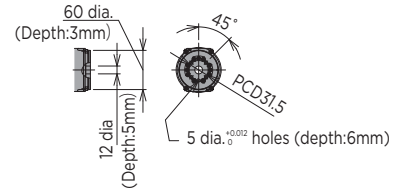


- Increase your productivity with the fast and efficient GP7 and GP8 robots
- All axis speeds have been increased by up to 39% - surpassing other robots in its class
- Small footprint, slim body design allows for minimum installation space
- IP67 rating and easy-to-clean surface for use in sanitary or harsh environments
- Reduced interference design allows close proximity placement of robots
- Increased reach enables wider work area
- Maximum reduction of acceleration/ deceleration times for all robot positions
- Hollow arm structure eliminates cable interference
- Highest wrist allowable moment for accurate and repeatable handling
- Easy, single cable connection for fast setup and simple maintenance
- Equipped with data saving feature that permits the robot's wire harness to be replaced without having to connect it to a battery
- Optional location (bottom) for manipulator cable connection reduces interference with walls
- Ideal for high-volume assembly, handling and packaging applications
- NSF-H1 certified food-grade lubricant option available for food or consumer product packaging environment.
- The GP-series robots are controlled by Yaskawa's new high-performance YRC1000 controller that is built to a global standard and does not require a transformer for input voltages ranging from 380VAC to 480VAC. It is highly compact, resulting in reduced space requirements. Its I/O communication speed is improved by as much as 50% for improved work efficiency.

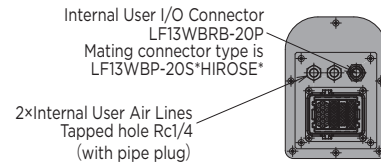
# GP7 and GP8 Robots



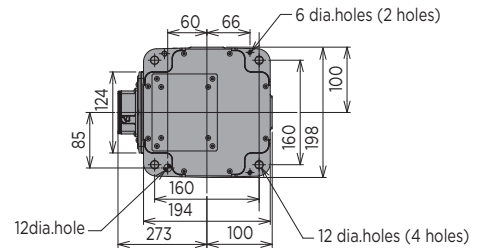
## VIEW A



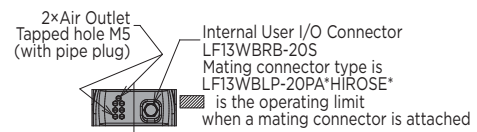
## VIEW B



## VIEW C



## VIEW D



GP8 robot shown.  
All dimensions are metric (mm) and for reference only.  
Request detailed drawings for all design/engineering requirements.

## SPECIFICATIONS

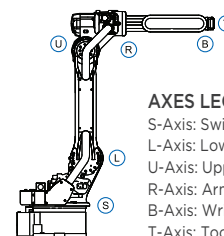
Axes	Maximum motion range [°]		Maximum speed [°/sec.]		Allowable moment [N•m]		Allowable moment of inertia [kg•m <sup>2</sup> ]	
	GP7	GP8	GP7	GP8	GP7	GP8	GP7	GP8
S	±170	±170	375	455	-	-	-	-
L	+145/-65	+150/-65	315	385	-	-	-	-
U	+255/-116	+255/-113	410	520	-	-	-	-
R	±190	±190	550	550	17	17	0.5	0.5
B	±135	±135	550	550	17	17	0.5	0.5
T	±360	±360	1000	1000	10	10	0.2	0.2

Mounting Options: Floor, Wall, or Ceiling

Item	GP7	GP8
Controlled axes	6	6
Maximum payload [kg]	7	8
Repeatability [mm]	±0.03	±0.02
Horizontal reach [mm]	927	727
Vertical reach [mm]	1,693	1,312
Weight [kg]	34	32
Internal user I/O cable	17 conductors (+ ground)	
Internal user air line	(2) 1/4" connection	
Power requirements	380-480 VAC	
Power rating [kVA]	1	1

## Options

- Robot risers and base plates
- MotoSight™ 2D and 3D vision systems



**AXES LEGEND**  
 S-Axis: Swivel Base  
 L-Axis: Lower Arm  
 U-Axis: Upper Arm  
 R-Axis: Arm Roll  
 B-Axis: Wrist Bend  
 T-Axis: Tool Flange

Yaskawa America, Inc. | Motoman Robotics Division  
 100 Automation Way  
 Miamisburg, OH 45342  
 Tel: 937.847.6200 | motoman.com

# YASKAWA