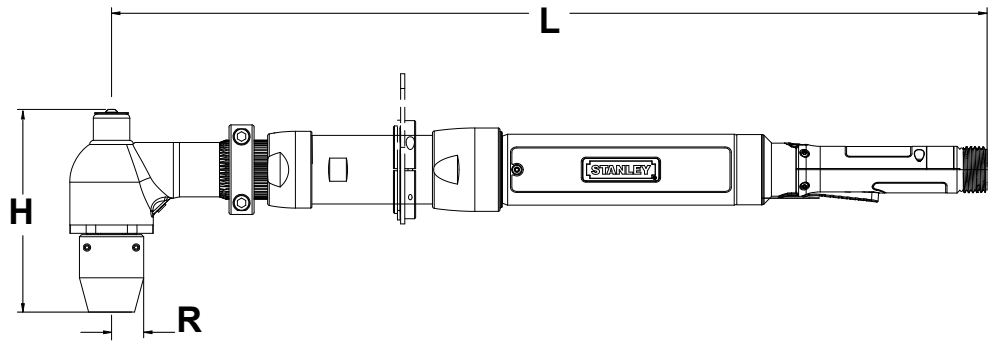


E/ EA Series Hold and Drive Lever

Hold and Drive Lever Tools 1" Travel (7 to 380 Nm)

H&D Lever Tool Options

H18 Output	Part No.
Socket Options*	20D905700
1" Travel Bit Holder Output	20D124600
1" Travel Tang Holder Output	20D124602
2" Travel Bit Holder Output	20D124601
2" Travel Tang Holder Output	20D124603
H18 Tang Holder	Part No.
6mm x 8mm Rectangle	20D261700
5mm x 7.5mm Rectangle	20D261701
6mm x 10mm Rectangle	20D261702
6mm Hex *	20D261703
H18 Bit Holder	Part No.
1/4" Hex*	20D254200
5/16" Hex*	20D253400
H22 Output	Part No.
Socket Options*	~N4617
1" Travel Tang Holder Output	20D103211
1" Travel Bit Holder Output	20D103212
2" Travel Tang Holder Output	20D103213
2" Travel Bit Holder Output	20D103214
H22 Tang Holder	Part No.
Female Tang Holder Options	~F4287
H22 Bit Holder	Part No.
Bit Holder Options *	~F4288
H22 Reaction Bar	Part No.
Reaction Bar Assembly	20K100000
Mounting Flange Assembly	20K100300
Base Mount Bracket Assembly	20K100500
H26 Output	Part No.
Socket Options *	~F4285
1" Travel Tang Holder Output	20D103601
1" Travel Bit Holder Output	20D103602
2" Travel Tang Holder Output	20D103603
2" Travel Bit Holder Output	20D103604
H26 Tang Holder	Part No.
Female Tang Holder Options *	~H4948
H26 Bit Holder	Part No.
Bit Holder Options *	~H4947
H26 Reaction Bar	Part No.
Reaction Bar Assembly	20K100200
Mounting Flange Assembly	20K100700
Base Mount Bracket Assembly	20K100600
Reaction Bar Assembly, HD	20K100202



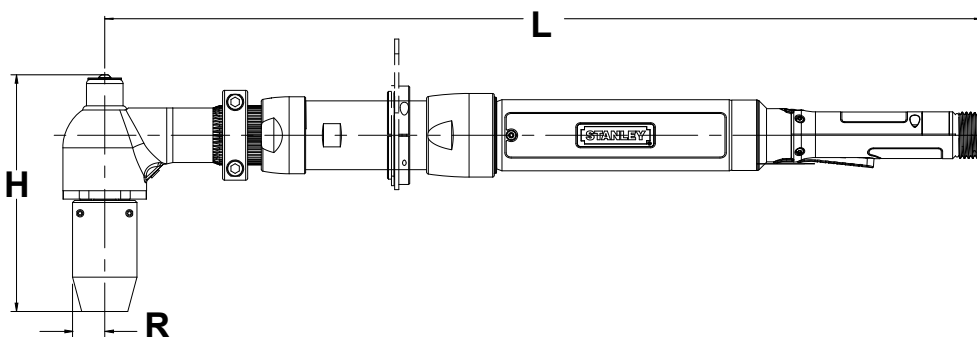
Model	Rated Speed		Torque		"R" Side to Center		"H" Head Height		"L" Length		Weight		Travel
	RPM	Nm	lb ft	mm	in	mm	in	mm	in	kg	lb	Standard	
E23LH18V1-35	345	35	26	18	0.69	109	4.28	464	18.3	2	4.5	1" Tang	
E33LH18V1-46	750	46	34	18	0.69	109	4.28	464	18.3	2.2	4.9		
EA33LH18V1-46	805	46	34	18	0.69	109	4.28	464	18.3	2	4.5		
E34LH22V1-66	535	66	49	22	0.88	118	4.65	530	20.9	3.4	7.5		
E34LN22V1-66	535	66	49	22	0.88	99	3.89	530	20.9	3.4	7.5		
E44LH22V1-66	535	66	49	22	0.88	118	4.65	539	21.2	3.8	8.4		
EA34LH22AV1-77	510	77	57	22	0.88	118	4.65	361	14.2	3.2	6.8		
EA34LN22AV1-77	510	77	57	22	0.88	99	3.89	361	14.2	3.2	6.8		
E55LH26V1-95	880	95	70	26	1.02	114	4.62	632	24.9	5.4	11.9		
E55LN26V1-95	880	95	70	26	1.02	96	3.8	632	24.9	5.4	11.9		
E34LH22AV1-110	300	110	81	22	0.88	118	4.65	361	14.2	3.4	7.5		
E34LN22AV1-110	300	110	81	22	0.88	99	3.89	361	14.2	3.4	7.5		
EA34LH22AV1-110	340	110	81	22	0.88	118	4.65	361	14.2	3.2	6.8		
EA34LN22AV1-110	340	110	81	22	0.88	99	3.89	361	14.2	3.2	6.8		
E44LH22AV1-110	480	110	81	22	0.88	118	4.65	539	21.2	3.8	8.4		
E44LN22AV1-110	480	110	81	22	0.88	99	3.89	539	21.2	3.8	8.4		
E45LH26V1-143	330	143	105	26	1.02	114	4.62	582	22.9	4.8	10.6		
E45LN26V1-143	330	143	105	26	1.02	96	3.8	582	22.9	4.8	10.6		
E45LH26V1-191	265	191	141	26	1.02	114	4.62	582	22.9	4.8	10.6		
E45LN26V1-191	265	191	141	26	1.02	96	3.8	582	22.9	4.8	10.6		
E55LH26V1-210	385	210	155	26	1.02	114	4.62	632	24.9	5.4	11.9		
E55LN26V1-210	385	210	155	26	1.02	96	3.8	632	24.9	5.4	11.9		
E55LH32V1-320	250	320	236	32	1.25	180	7.1	639	25.1	6.2	13.6		
E55LH32V1-380	200	380	280	32	1.25	180	7.1	639	25.1	6.2	13.6		

* Socket, Bit and Tang selections start on page 165

E/ EA Series Hold and Drive Lever



Hold and Drive Lever Tools 2" Travel (7 to 380 Nm)

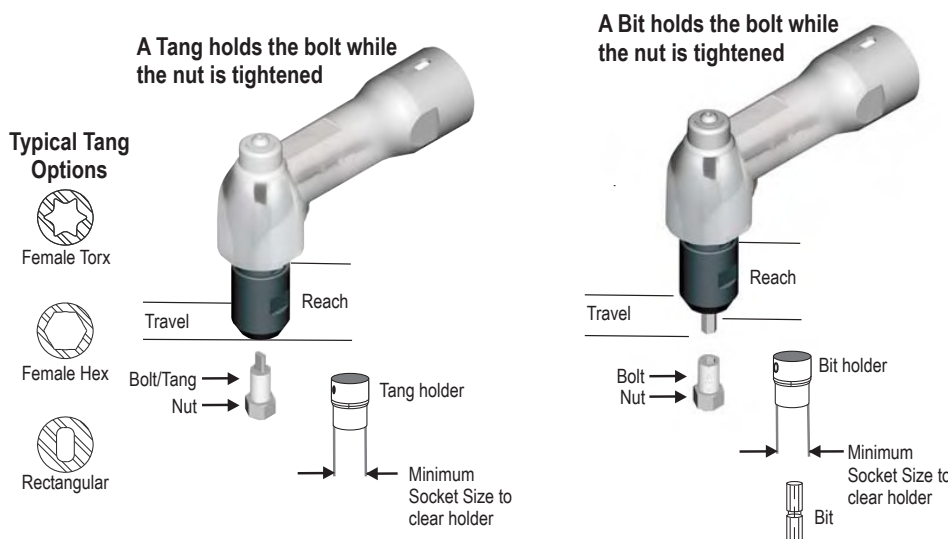


Model	Rated Speed		Torque		"R" Side to Center		"H" Head Height		"L" Length		Weight		Travel
	RPM	Nm	lb ft	mm	in	mm	in	mm	in	kg	lb	Standard	
E23LH18V2-35	345	35	26	18	0.69	109	4.28	464	18.3	2	4.5	2" Tang	
E33LH18V2-46	750	46	34	18	0.69	109	4.28	464	18.3	2.2	4.9		
EA33LH18V2-46	805	46	34	18	0.69	109	4.28	464	18.3	2	4.5		
E34LH22V2-66	535	66	49	22	0.88	118	4.65	530	20.9	3.4	7.5		
E44LH22V2-66	535	66	49	22	0.88	118	4.65	539	21.2	3.8	8.4		
EA34LH22AV2-77	510	77	57	22	0.88	118	4.65	361	14.2	3.2	6.8		
E55LH26V2-95	880	95	70	26	1.02	114	4.62	632	24.9	5.4	11.9		
E34LH22AV2-110	300	110	81	22	0.88	118	4.65	361	14.2	3.4	7.5		
EA34LH22AV2-110	340	110	81	22	0.88	118	4.65	361	14.2	3.2	6.8		
E44LH22AV2-110	480	110	81	22	0.88	118	4.65	539	21.2	3.8	8.4		
E45LH26V2-143	330	143	105	26	1.02	114	4.62	582	22.9	4.8	10.6		
E45LH26V2-191	265	191	141	26	1.02	114	4.62	582	22.9	4.8	10.6		
E55LH26V2-210	385	210	155	26	1.02	114	4.62	632	24.9	5.4	11.9		
E55LN26V2-210	385	210	155	26	1.02	96	3.8	632	24.9	5.4	11.9		
E55LH32V2-320	250	320	236	32	1.25	180	7.1	639	25.1	6.2	13.6		
E55LH32V2-380	200	380	280	32	1.25	180	7.1	639	25.1	6.2	13.6		

H&D Lever Tool Options continued

H32 Output	Part No.
Socket Options *	~A5302
1" Travel Tang Holder Output	20D103701
1" Travel Bit Holder Output	20D103702
2" Travel Tang Holder Output	20D103703
2" Travel Bit Holder Output	20D103704
H32 Tang Holder	Part No.
Female Tang Holder Options*	20D900601
H32 Bit Holder	Part No.
Bit Holder Options *	20D900602
H32 Reaction Bar	Part No.
Reaction Bar Assembly	20K100200
Mounting Flange Assembly	20K100700
Base Mount Bracket Assembly	20K100600
Reaction Bar Assembly, HD	20K100202

Hold & Drive Options



NOTE: The bolt can extend beyond the nut no more than the specified Travel distance when tightened.