

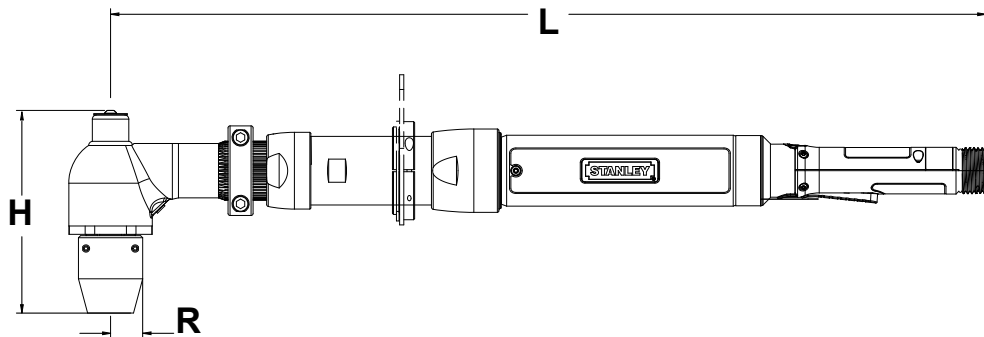
EB Series - Hold and Drive Lever - 1"

1" H&D Lever Tool Options

H18 Output	Part No.
Socket Options*	20D905700
1" Travel Bit Holder Output	20D124600
1" Travel Tang Holder Output	20D124602
H18 Tang Holder	Part No.
6mm x 8mm Rectangle	20D261700
5mm x 7.5mm Rectangle	20D261701
6mm x 10mm Rectangle	20D261702
6mm Hex *	20D261703
H18 Bit Holder	Part No.
1/4" Hex*	20D254200
5/16" Hex*	20D253400
H22 Output	Part No.
Socket Options*	~N4617
1" Travel Tang Holder Output	20D103211
1" Travel Bit Holder Output	20D103212
H22 Tang Holder	Part No.
Female Tang Holder Options	~F4287
H22 Bit Holder	Part No.
Bit Holder Options *	~F4288
H22 Reaction Bar	Part No.
Reaction Bar Assembly	20K100000
Mounting Flange Assembly	20K100300
Base Mount Bracket Assembly	20K100500
H26 Output	Part No.
Socket Options *	~F4285
1" Travel Tang Holder Output	20D103601
1" Travel Bit Holder Output	20D103602
H26 Tang Holder	Part No.
Female Tang Holder Options *	~H4948
H26 Bit Holder	Part No.
Bit Holder Options *	~H4947
H26 Reaction Bar	Part No.
Reaction Bar Assembly	20K100200
Mounting Flange Assembly	20K100700
Base Mount Bracket Assembly	20K100600
Reaction Bar Assembly, HD	20K100202
H32 Output	Part No.
Socket Options *	~A5302
1" Travel Tang Holder Output	20D103701
1" Travel Bit Holder Output	20D103702

* Socket, Bit and Tang selections start on page 165

Hold & Drive Tools (9.2 to 380 Nm) - 1" Output



Model	Rated Speed		Torque		"R" Side to Center		"H" Head Height		"L" Length		Weight		Travel
	RPM	Nm	lb ft	mm	in	mm	in	mm	in	kg	lb	Standard	
EB33LH18V1-46	880	46	33.9	18	0.71	131.9	5.2	464	18.3	2.2	4.9	1"	
EB34LH22AV1-77	510	77	56.8	22	0.87	143.8	5.7	521	20.5	3.4	7.5		
EB34LH22AV1-110	335	110	81.1	22	0.87	143.8	5.7	543	21.4	3.4	7.5		
EB45LH26V1-155	400	155	114.3	26	1.02	142.8	5.6	582	22.9	5.5	12.1		
EB45LH26V1-220	260	220	162.3	26	1.02	142.8	5.6	582	22.9	5.5	12.1		
EB55LH32V1-285	340	285	210.2	32	1.3	179.6	7.1	639	25.1	6.2	13.6		
EB55LH32V1-380	225	380	280.3	32	1.3	179.6	7.1	639	25.1	6.2	13.6		

1" DC H&D Lever Tool Options

H32 Tang Holder	Part No.
Female Tang Holder Options*	20D900601
H32 Bit Holder	Part No.
Bit Holder Options *	20D900602
H32 Reaction Bar	Part No.
Reaction Bar Assembly	20K100200
Mounting Flange Assembly	20K100700
Base Mount Bracket Assembly	20K100600
Reaction Bar Assembly, HD	20K100202

Hold & Drive Options

A Tang holds the bolt while the nut is tightened

Typical Tang Options



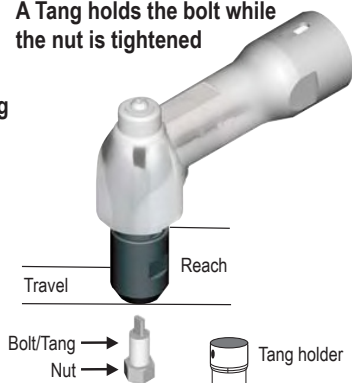
Female Torx



Female Hex



Rectangular



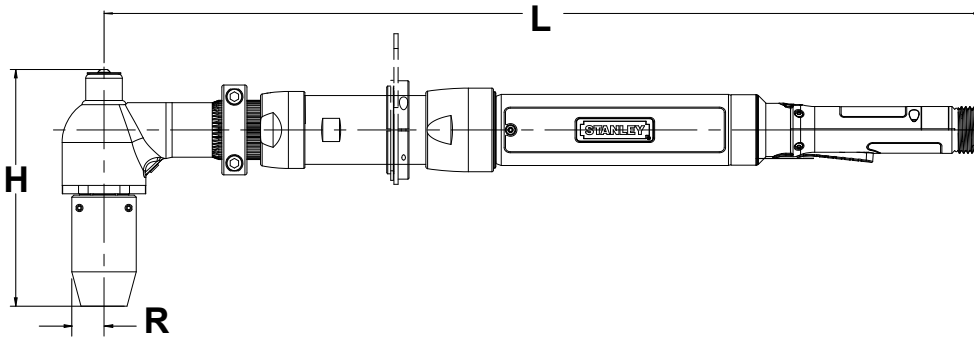
Minimum Socket Size to clear holder

NOTE: The bolt can extend beyond the nut no more than the specified Travel distance when tightened.

EB Series - Hold and Drive Lever - 2"



Hold & Drive Tools (9.2 to 380 Nm) - 2" Output



Model	Rated Speed		Torque		"R" Side to Center		"H" Head Height		"L" Length		Weight		Travel
	RPM	Nm	lb ft	mm	in	mm	in	mm	in	kg	lb	Standard	
EB33LH18V2-46	880	46	33.9	18	0.71	190.3	7.5	464	18.3	2.1	4.6	2"	
EB34LH22AV2-77	510	77	56.8	22	0.87	199.0	7.8	521	20.5	3.1	6.8		
EB34LH22AV2-110	335	110	81.1	22	0.87	199.0	7.8	543	21.4	3.1	6.8		
EB45LH26V2-155	400	155	114.3	26	1.02	168.2	6.6	582	22.9	4.6	10.0		
EB45LH26V2-220	260	220	162.3	26	1.02	168.2	6.6	582	22.9	4.6	10.0		
EB55LH32V2-285	340	285	210.2	32	1.3	205	8.1	639	25.1	6.2	13.6		
EB55LH32V2-380	225	380	280.3	32	1.3	205	8.1	639	25.1	6.2	13.6		

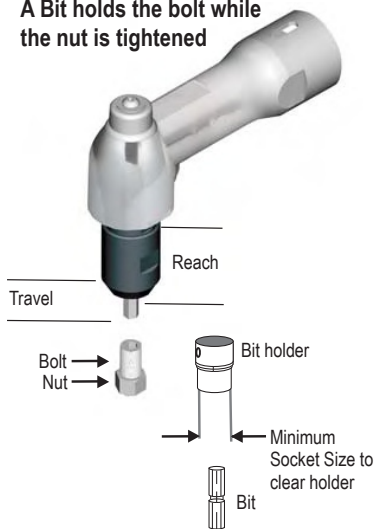
2" H&D Lever Tool Options

H18 Output	Part No.
Socket Options *	20D905700
2" Travel Bit Holder Output	20D124601
2" Travel Tang Holder Output	20D124603
H18 Tang Holder	Part No.
6mm x 8mm Rectangle	20D261700
5mm x 7.5mm Rectangle	20D261701
6mm x 10mm Rectangle	20D261702
6mm Hex	20D261703
H18 Bit Holder	Part No.
1/4" Hex *	20D254200
5/16" Hex *	20D253400
H22 Output	Part No.
Socket Options *	~N4617
2" Travel Tang Holder Output	20D103213
2" Travel Bit Holder Output	20D103214
H22 Tang Holder	Part No.
Female Tang Holder Options	~F4287
H22 Bit Holder	Part No.
Bit Holder Options *	~F4288
H22 Reaction Bar	Part No.
Reaction Bar Assembly	20K100000
Mounting Flange Assembly	20K100300
Base Mount Bracket Assembly	20K100500
H26 Output	Part No.
Socket Options *	~F4285
2" Travel Tang Holder Output	20D103603
2" Travel Bit Holder Output	20D103604
H26 Tang Holder	Part No.
Female Tang Holder Options*	~H4948
H26 Bit Holder	Part No.
Bit Holder Options *	~H4947
H26 Reaction Bar	Part No.
Reaction Bar Assembly	20K100200
Mounting Flange Assembly	20K100700
Base Mount Bracket Assembly	20K100600
Reaction Bar Assembly, HD	20K100202
H32 Output	Part No.
Socket Options *	~A5302
2" Travel Tang Holder Output	20D103703
2" Travel Bit Holder Output	20D103704

2" DC H&D Lever Tool Options

H32 Tang Holder	Part No.
Female Tang Holder Options*	20D900601
H32 Bit Holder	Part No.
Bit Holder Options *	20D900602
H32 Reaction Bar	Part No.
Reaction Bar Assembly	20K100200
Mounting Flange Assembly	20K100700
Base Mount Bracket Assembly	20K100600
Reaction Bar Assembly, HD	20K100202

A Bit holds the bolt while the nut is tightened



Typical Bit Options



Male Hex



Male Torx

* Socket, Bit and Tang selections start on page 165