

MH400 II MH600

MATERIAL HANDLING | MACHINE TENDING | PRESS TENDING

KEY BENEFITS

Versatile, high-performance robots for heavy-payload machine or press tending and other handling tasks

Enhanced safety with control reliable software for guarding (FSU)

Energy efficient design of DX200 versus previous controller

SPECIFICATIONS

400 kg payload (MH400 II)

600 kg payload (MH600)

2,942 mm horizontal reach

2,898 mm vertical reach

±0.3 mm repeatability

Floor mounted

CONTROLLERS



DX200



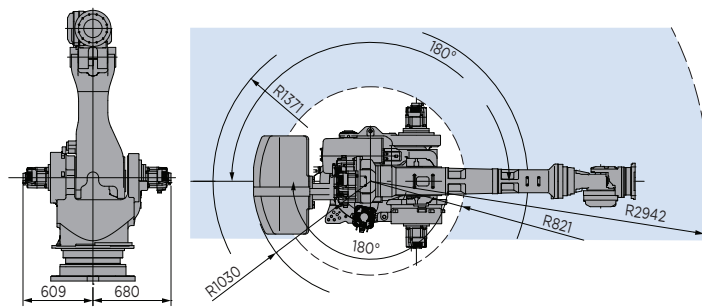
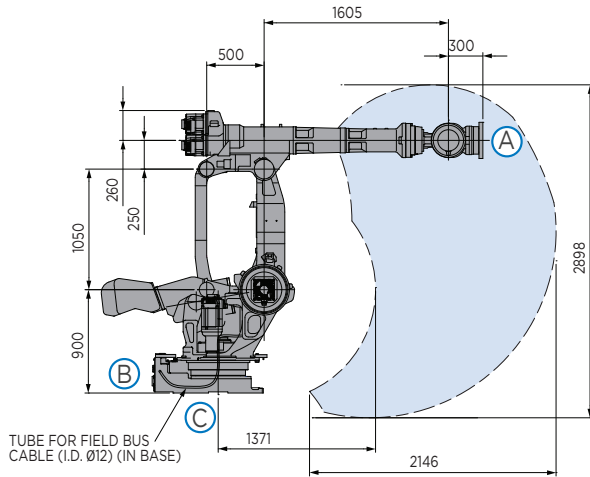
FS100



MLX200

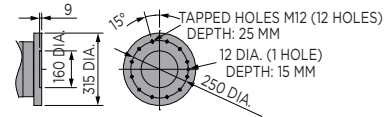
- Designed to provide superior performance in machine and press tending, and other heavy-payload applications.
- Ideal for “jiggless” applications where robot positions part for processing by other robots or two robots handle a single part.
- Full six-axis capability with parallel-link construction for strength, rigidity and stabilization of high moment/inertia loads. Heavy-duty bearings provide smooth arm rotation.
- Large work envelope and high moment of inertia ratings accommodate a wide range of large, heavy parts.
- Streamlined design allows robot to reach into confined spaces, improving system productivity.
- Used for loading and unloading of parts, these robots can help eliminate inconsistencies of a manual process for applications such as turning, milling and grinding.
- Ability to handle all types of material including ceramics, composites, metals and polymers.
- Up to 70% less power consumption during motion and 25% savings during idle periods compared to previous models.
- Cables and air lines are routed through robot base to upper arm to increase cable life, enhance safety and reduce teaching time.
- Cable installation tube in the base of the robot facilitates fieldbus routing to the robot upper arm and/or gripper.
- Pre-wired for servo gripper which allows a wider range of product handling.
- Pre-wired with internal DeviceNet cable that can be used for robot upper arm and/or gripper.

MH400 II | MH600 ROBOTS

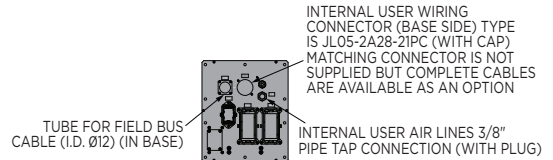


MH400 II shown; MH600 differs slightly.
 All dimensions are metric (mm) and for reference only.
 Request detailed drawings for all design/engineering requirements.

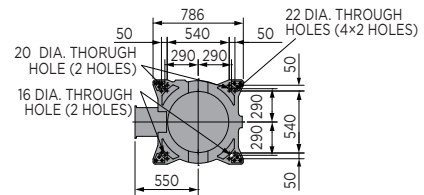
VIEW A



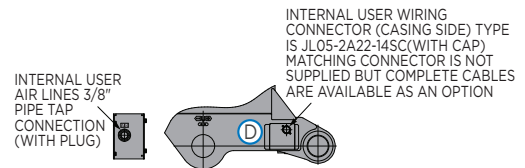
VIEW B



VIEW C



VIEW D

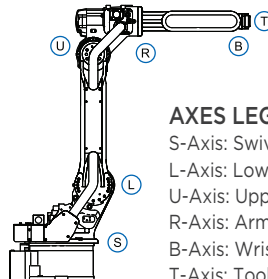


SPECIFICATIONS: MH400 II | MH600

Axes	Maximum motion range [°]		Maximum speed [°/sec.]		Allowable moment [N·m]		Allowable moment of inertia [kg·m ²]		Controlled axes	MH400 II	MH600
	MH400 II	MH600	MH400 II	MH600	MH400 II	MH600	MH400 II	MH600			
S	±180	±180	102	82	-	-	-	-	6	6	6
L	+61/-55	+61/-55	97	82	-	-	-	-	400	600	600
U	+18/-113	+18/-113	97	82	-	-	-	-	±0.3	±0.3	±0.3
R	±360	±360	80	80	2,989	3,430	500	520	2,942	2,942	2,942
B	±115	±115	80	80	2,989	3,430	500	520	2,898	2,898	2,898
T	±360	±360	172	162	1,343	1,764	315	350	0 to +45	0 to +45	0 to +45
									Humidity [%]	20 - 80	20 - 80
									Weight [kg]	2,700	3,050
									Power supply, average [kVA]	7.0	7.5
									Internal I/O cable [conductors w/ ground]	19	19
									Internal air line [connections]	(1) 3/8"	(1) 3/8"

OPTIONS

- Extended length manipulator cables
- Robot risers and base plates
- External axis kits
- Wide variety of fieldbus cards
- Vision systems
- Robot base and upper arm I/O cables



AXES LEGEND

- S-Axis: Swivel Base
- L-Axis: Lower Arm
- U-Axis: Upper Arm
- R-Axis: Arm Roll
- B-Axis: Wrist Bend
- T-Axis: Tool Flange

Yaskawa America, Inc.
 Motoman Robotics Division

100 Automation Way
 Miamisburg, OH 45342
 Tel: 937.847.6200
 Fax: 937.847.6277

motoman.com

YASKAWA