

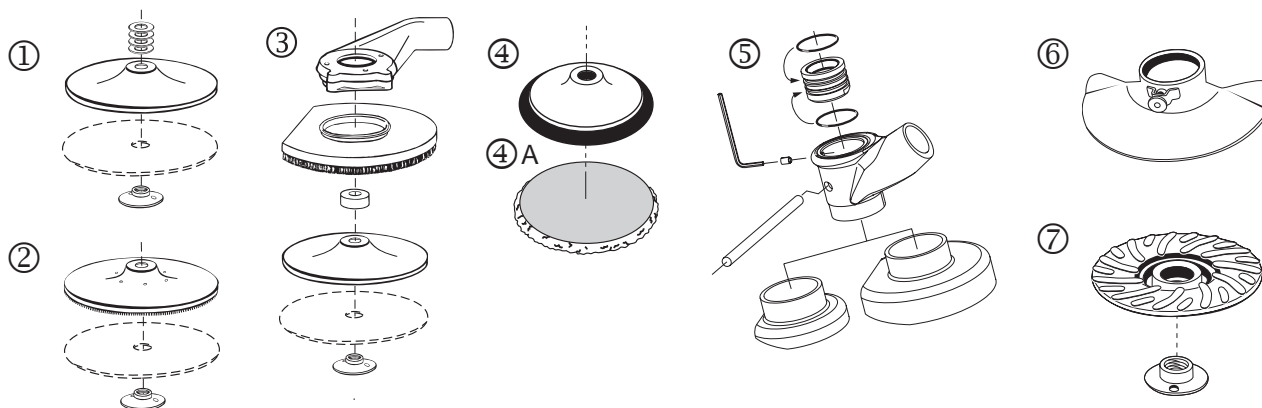
# Accessories

# For Sanding and Polishing

## Accessories Included

Air hose nipple  
Clamp  
Exhaust hose (LSV19/28/38)      Support handle (LSV28/38/48)  
Wrenches (LSV19/28)  
Spot suction equipment (D-version)

## Optional Accessories



	LSV12	LSV19	LSV28	LSV38	LSV48	See illustration
<b>Backing pad set, standard type</b>						
Ø 5 in - 5/8" - soft	-	-	4170 0768 80	4170 0768 80	4170 0768 80	1
Ø 7 in - 5/8" - soft	-	-	4170 0756 80	4170 0756 80	4170 0756 80	1
Ø 7 in - 5/8" - stiff	-	-	4170 0757 80	4170 0757 80	4170 0757 80	1
<b>Backing pad set with cooling ribs</b>						
Ø 5 in - 5/8" and M14	-	-	4150 1962 80	4150 1962 80	4150 1962 80	2
Ø 7 in - 5/8" and M14	-	-	4150 1962 81	4150 1962 81	4150 1962 81	2
<b>Backing pad set, heavy duty type</b>						
Ø 120 mm - 5/8"	-	-	-	4170 1204 90	4170 1204 90	7
Ø 162 mm - 5/8"	-	-	-	4170 1192 90	4170 1192 90	7
<b>Backing pad set for polishing - velcro</b>						
Ø 150 mm - 5/8" (max 2500 rpm)	-	-	4112 6092 15	-	-	4
Ø 150 mm - Lambs woll bonnet	-	-	4112 6093 15	-	-	4A
<b>Spot suction kit for fiber disc</b>						
Ø 5 in	-	-	3780 4007 80 <sup>a</sup>	-	-	3
Ø 7 in	-	-	3780 4007 90 <sup>b</sup>	-	3780 4093 40	
			3780 4031 60 <sup>c</sup>			
Ø 2 - 3 in	3780 4092 64 <sup>d</sup>	3780 4092 62 <sup>d</sup> 3780 4092 65 <sup>e</sup>	-	-	-	5
Hand shield for 5-7 in	-	-	-	4150 1936 80	-	6
Hand shield for 5-7 in, large shield	-	-	-	4150 1941 80	-	6

<sup>a</sup> = Suits LSV28 S060

<sup>b</sup> = Suits LSV28 S040/060

<sup>c</sup> = Suits LSV28 S021

<sup>d</sup> = For model with collet

<sup>e</sup> = For model with threaded spindle

## Productivity Kits

Model	Max air flow	Hose 16.4 ft	Coupling	Lubrication	Ordering No.
MIDI Optimizer F/RD EQ10US-T13	65 cfm	Turbo 13	ErgoQIC 10US	Yes	8202 0850 29
MIDI Optimizer F/R EQ10US-T13	65 cfm	Turbo 13	ErgoQIC 10US	No	8202 0850 30
MIDI Optimizer F/RD EQ15US-T16	85 cfm	Turbo 16	ErgoQIC 15US	Yes	8202 0850 31
MAXI F/R EQ15US-T20	140 cfm	Turbo 16	ErgoQIC 15US	No	8202 0850 32
MAXI F/RD EQ15US-T20	140 cfm	Turbo 16	ErgoQIC 15US	Yes	8202 0850 33

**NOTE:** Tool nipple is not included in the Productivity kit and needs to be order separately together with the tool.



## Service Kits

LSV19	4081 0488 90
LSV28	4081 0317 90
LSV38	4081 0309 90
LSV48	4081 0312 90