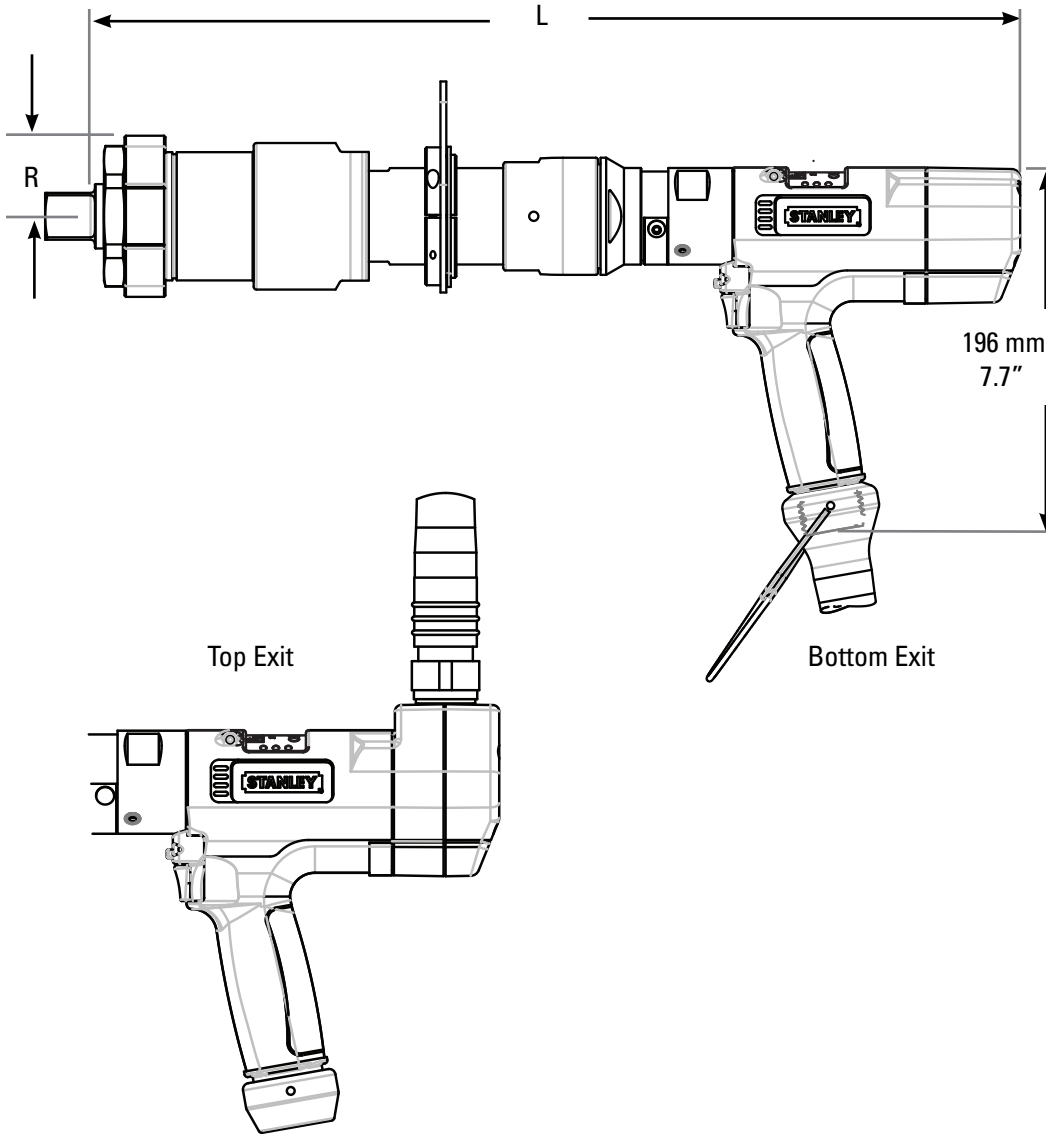


E Series Swing Bar Pistol Grip



Swing Bar Pistol Grip Tools (9 to 1200 Nm)



Pistol Tool Options

E33PB Output Options	Part No.
3/8" Square Drive Pin	20D100700
3/8" -24 Thread	20D100701
3/8" Square Drive Ball	20D100703
E34B1 Output Options <1200 Nm	Part No.
1/2" Square Drive Pin	20D101001
1/2" Square Drive Ball	20D101004
1/2" Square Drive 6 Inch Extension	20D101003
Socket Lock Pin 3/8" or 1/2" SD	Part No.
Standard	20D227800
Rounded (Ball Detent)	20D227801
E33 Reaction Components	Part No.
Reaction Bar, Steel	20K100100
Base Mount Bracket	A8606
Mounting Flange	20K101000
B1 Reaction Components <1200 Nm	Part No.
Reaction Bar, Steel	20K100000
B4 Reaction Components	Part No.
Reaction Bar, Steel 10" Long	F4192
Suspension Bail	Part No.
Wire Bail	A3061
Swivel E33 Tools	20K101400
Swivel E34 Tools	20K200000
Swivel E35 Tools	20K200001
Vertical Bail Kit	20K200007
Cable Exit	Part No.
Bottom	20H207110
Top	20H207114
Fan Parts	Part No.
Bottom Exit	20H207111
Handle Options	Part No.
Pistol Rubber Grip	20H207107

Model	Rated Speed		Torque		"R" Side to Center		"L" Length		Weight		Output
	RPM		Nm	lb ft	mm	in	mm	in	kg	lb	Standard
E33PBS0035-45	890		45	33	31.8	1.25	387	15.2	2.4	5.2	3/8" SD
E34PB1S0014-74	490		74	55	31.8	1.25	387	15.2	2.7	6	1/2" SD
E35PB4S0022-340	100		340	250	43.6	1.72	478	18.8	6.8	15	1" SD
E35PB4S0012-670	40		670	494	43.6	1.72	501	19.7	6.8	15	1" SD
E34PB1S0035-1200	6		1200	885	41.3	1.63	474	18.6	5.4	11.8	1" SD
E34PB1S0047-1200	6		1200	885	41.3	1.63	474	18.6	5.4	11.8	1" SD