

Tool holsters

Desoutter Tool Holster - DTH42 - DTH-90

DTH-42

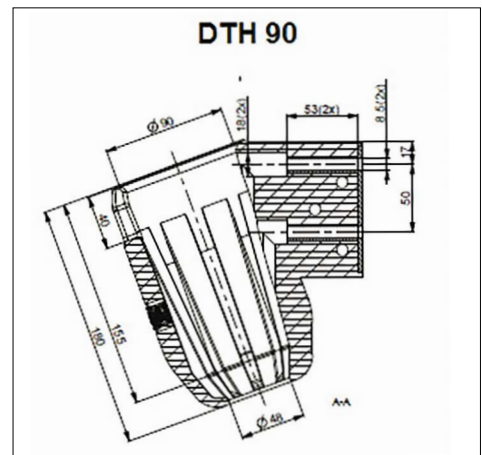
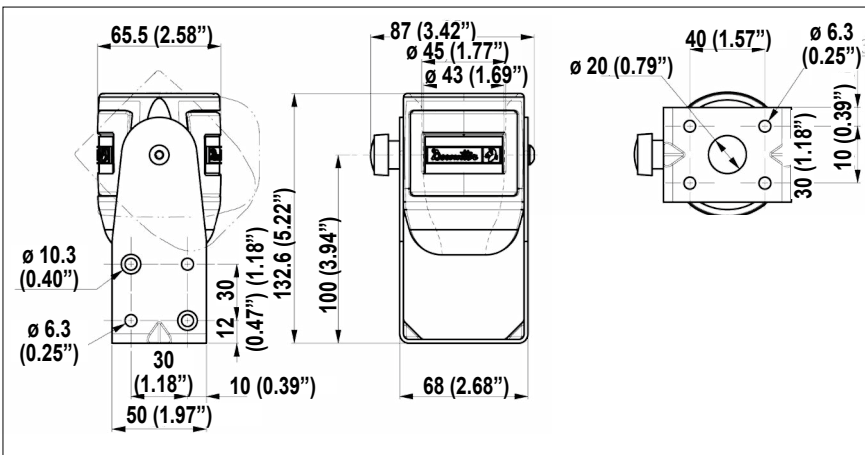
- Adapted for all **straight or pistol grip tools** with an outside diameter of maximum 42 mm
- The mounting plate can be fastened in **several positions** and the plastic ring angle can be set at **different angles**



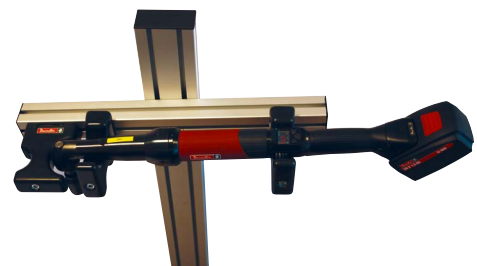
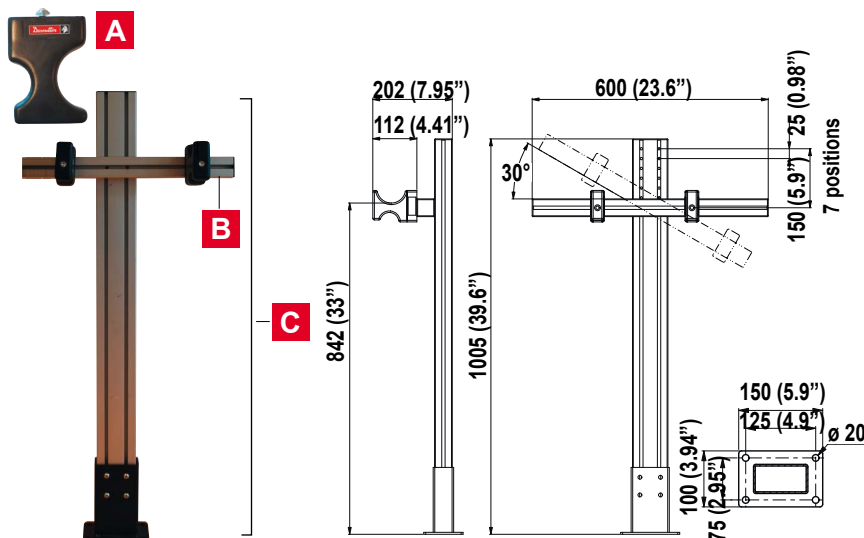
DTH-90

- Used for all **pistol grip tools** with an outside diameter of maximum 90 mm
- Designed with 2 holes for tool sensors presence
- Rubber material
- Mounting screws included

PIC REF	PART NUMBER	DESCRIPTION	MAX. DIAMETER	
			mm	in.
A	107 892	DTH-42	42	1.65
B	615 812 119 0	DTH-90	90	3.54



Desoutter Tool Holster - DTH TWIN



PIC REF	PART NUMBER	DESCRIPTION
A*	615 811 411 0	DTH TWIN (single) without rail
B	615 811 412 5	DTH TWIN rail KIT with 2 TWIN holders
C	615 811 413 5	DTH TWIN stand kit with base & 2 TWIN holders

* Includes screw and fixation for rail type Bosch 10mm slot