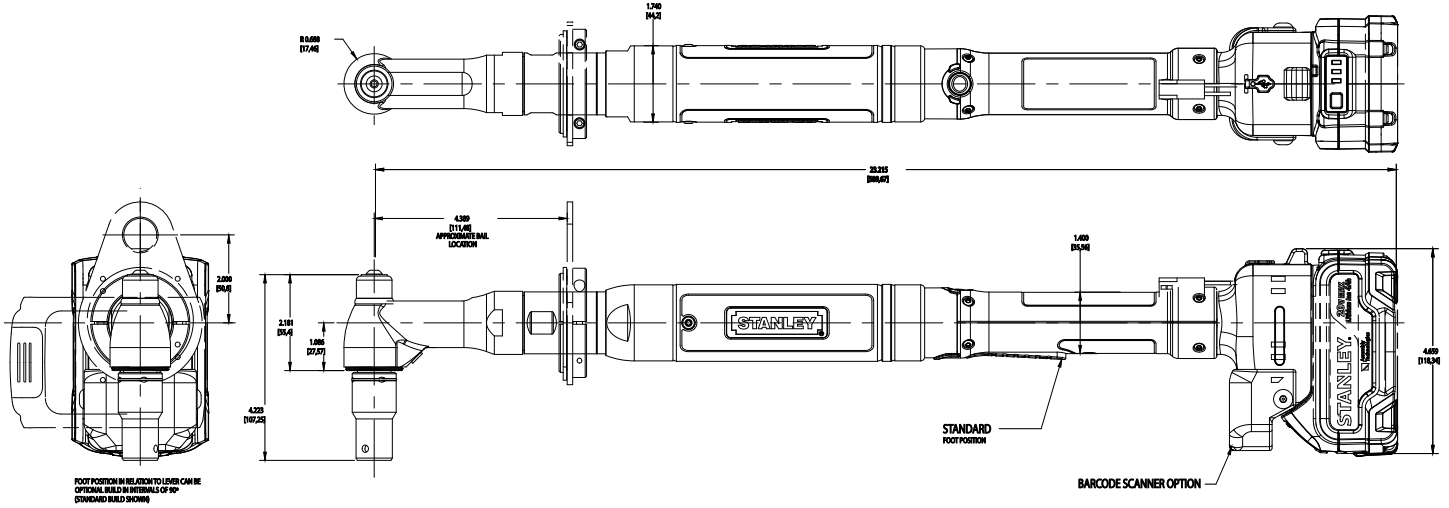


# B Series Cordless Lever Tools



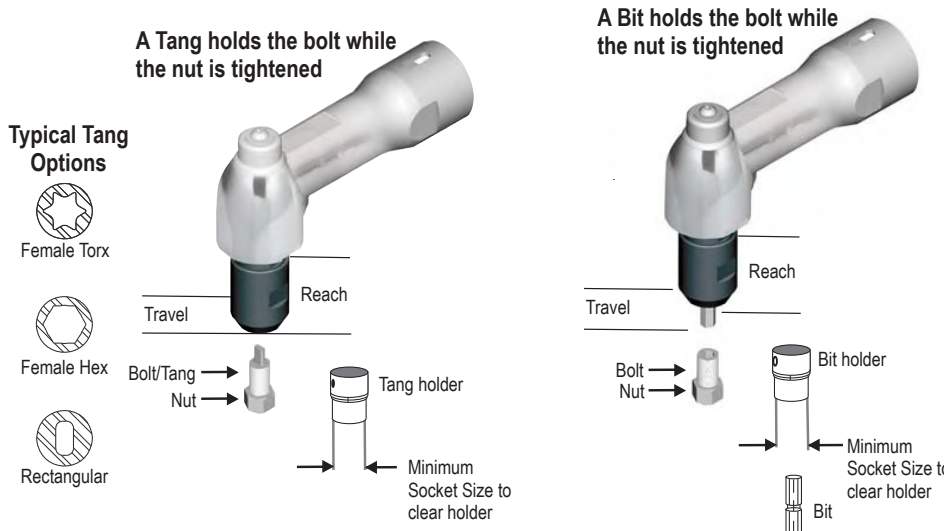
## QPM Cordless Hold and Drive Tools (8.4 to 42 Nm)



Model	Rated Speed	Torque		"R" Side to Center		"H" Head Height		"L" Length		Weight		Travel
	RPM	Nm	lb ft	mm	in	mm	in	mm	in	kg	lb	Standard
B23LH18V1-42	200	42	31	18	0.69	109	4.28	590	23.2	2	4.5	1" Tang
B23LH18V2-42	200	42	31	18	0.69	109	4.28	590	23.2	2.2	4.9	2" Tang

Total vibration emission value: <math>< 2.5 \text{ m/sec}^2</math> (ISO 28927-2:2009); Sound pressure level at work station LpA (ref 20μPa) is <math>< 70\text{dB(A)}</math> (ISO 15744-2002).

### Hold & Drive Options



**NOTE:** The bolt can extend beyond the nut no more than the specified Travel distance when tightened.